

# JACKETING, COATING AND CLADDING

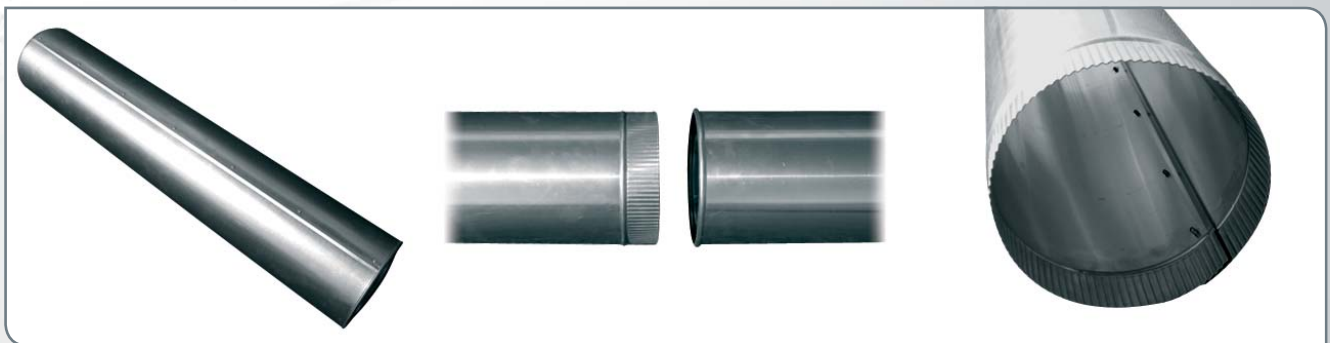


www.spiro.ch

## Spiro International SA is offering a new product line for insulated duct systems.

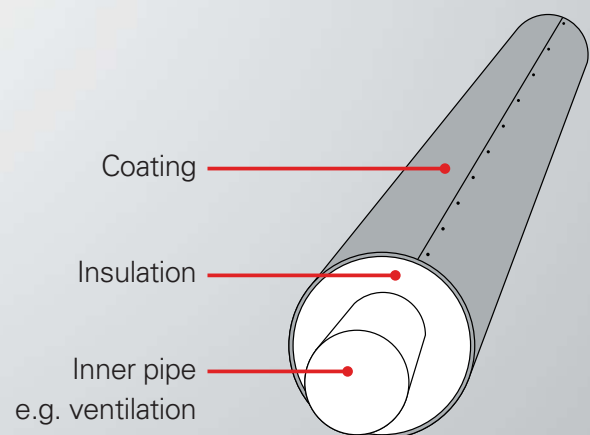
This tube casing line aims at serving various insulated duct applications in the field of jacketing, coating and cladding.

The field of application includes the HVAC, water, oil and gas industry.



## Technical Features

- » Several joint sections and overlap types enable a multifaceted application
- » Customized sheet cutting with sheet lubrication
- » Punching rivet holes process
- » Longitudinal overlap forming
- » Changeable bending roller unit



**Our sales team will gladly assist you with any questions!**

# THE *Original* SINCE 1956



Spiro International S.A.

Industriestrasse 173, CH-3178, Bösinggen, Switzerland

Tel +41 31 740 31 00 Fax +41 31 740 31 31 E-mail [info@spiro.ch](mailto:info@spiro.ch) Web [www.spiro.ch](http://www.spiro.ch)



SPIRAL-HELIX, Inc. 

1450 Arthur Avenue, Suite B, Elk Grove Village, IL 60007

Tel +1 224-659-7870 Fax +1 224-659-7871 E-mail [info@spiral-helix.com](mailto:info@spiral-helix.com)